



COMMERCIAL VEHICLE AUCTIONS LTD
THE UK'S MOST ESTABLISHED COMMERCIAL VEHICLE AUCTIONEERS

Carr Hill Industrial Estate
Doncaster
DN4 8DE

01302 732600 | cva.noreply@cva-auctions.co.uk

VEHICLE INSPECTION REPORT

FN17BPO

Daf LF 260

Inspection		Vehicle	
Serious Damage?	No	VAT	Plus VAT
		V5	Present

Details

Reg. date	29/06/2017	VIN	XLRAEL3700L462540	CAP Below	£6,625.00
Year	2017	Body Style	Curtainside	Cab Type	DAY CAB
Mileage	397,011 Km Warranted	MOT Due	30/06/2026	Gearbox	AUTOMATIC
Fuel Type	Diesel	CAP Clean	£8,975.00	Axle Combi	4x2
Colour	WHITE	CAP Average	£8,250.00	Rear Doors	Barn

WARNING LIGHT ON DASH SURROUND CAMERA SYSTEM, FORKLIFT BRACKETS

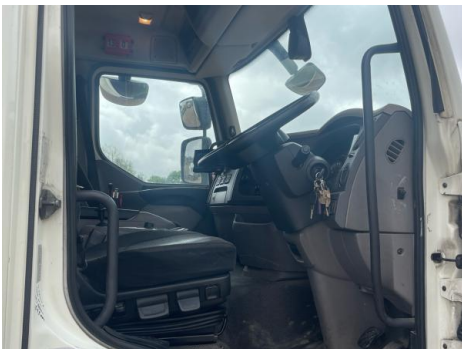
Tyres

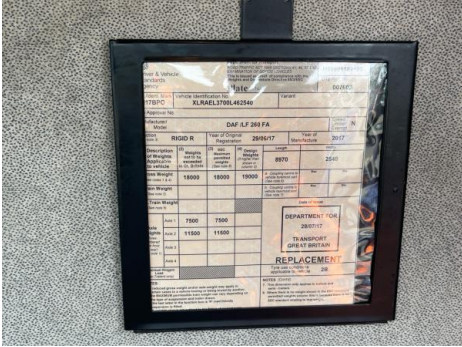
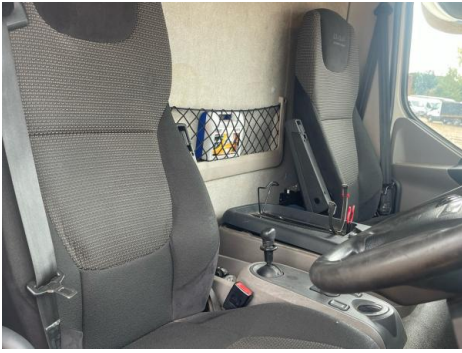
NSF	NSI1	NSI2	NSI3	NSI4
OSF	OSI1	OSI2	OSI3	OSI4
Spare	NSO1	NSO2	NSO3	NSO4
	OSO1	OSO2	OSO3	OSO4

Features

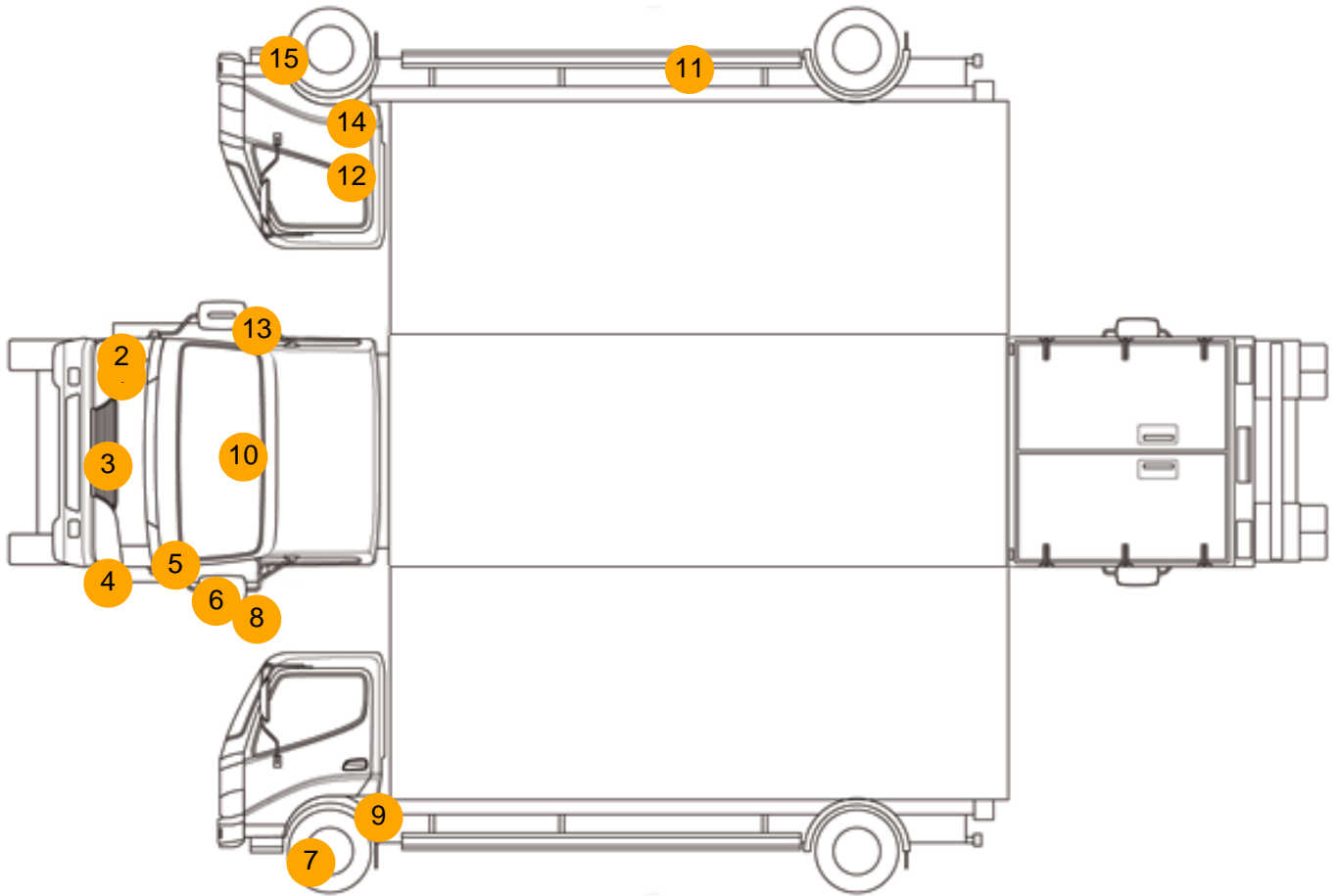
- Park assist camera
- Air conditioning

Photos





Condition Check



Damage Photos



1: Bumper Front Moulding
Scuffed (Unpainted)
UpTo 100mm



2: Fog Lamp Surround os
Scuffed (Unpainted)
UpTo 100mm



3: Number Plate Front
Broken
Replace



4: Bumper Front Moulding
Scuffed (Unpainted)
UpTo 100mm



5: Fog Lamp Surround nsf
Scuffed (Unpainted)
UpTo 100mm



6: Wing nsf
Scratched
UpTo 25mm Thru Paint



7: Other
N/A
N/A



8: Door Mirror Assy nsf
Scuffed (Unpainted)
UpTo 100mm



9: Other
N/A
N/A



10: Screen Front
Chipped
UpTo 10mm



11: Other
N/A
N/A



12: Door osf
Dented
With Paint Damage



13: Door Mirror Assy osf
Scuffed (Unpainted)
UpTo 100mm



14: Other
N/A
N/A



15: Other
N/A
N/A

Interior

Carpet Condition	OK	Upholstery Condition	OK
Seat Condition	OK	Odour	-
Engine Runs	OK	Gearbox 1st and Reverse Test	OK
Brakes	OK	Clutch Slip Test from Static	OK
Parking Brake	OK	Gearbox Static Gear Selection (engine running)	OK
		No Excessive Smoking	OK
EML light illuminated	Fault	Oil warning light illuminated	OK
Airbag light illuminated	OK	DPF light illuminated	OK
ABS light illuminated	OK	Service indicator light illuminated	OK